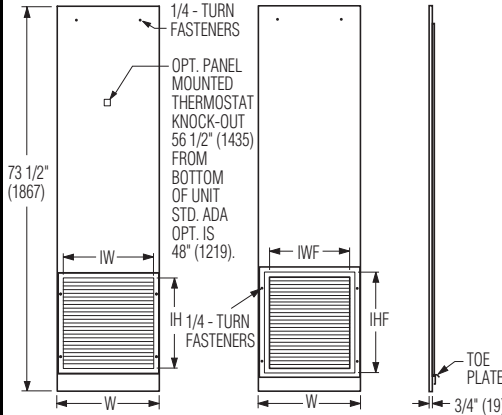


Type C (Concealed), A/B Paired, M (Master) and S (Slave)

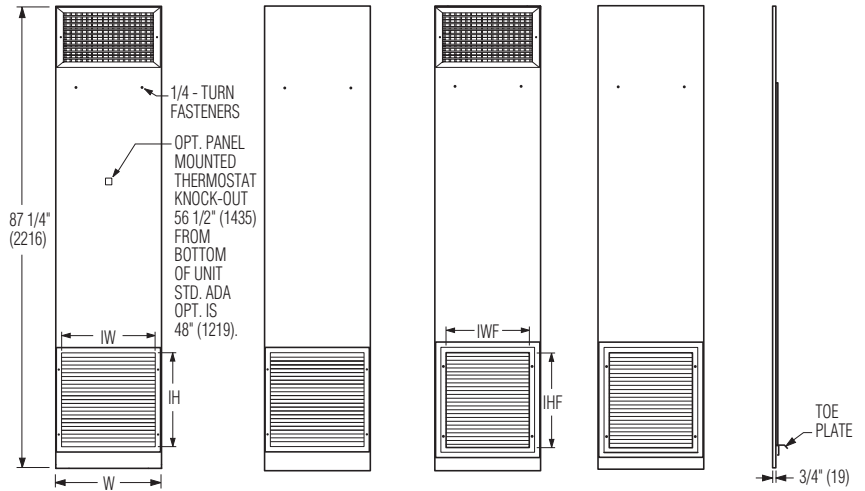
Standard Front Return Air Panel For Concealed Units • Separate Supply Grille

- Std. RA Grille (Code PS)
- Opt. RA Filter Grille (Code PSF)
- Furred In Unit Panel (Concealed Drywall)



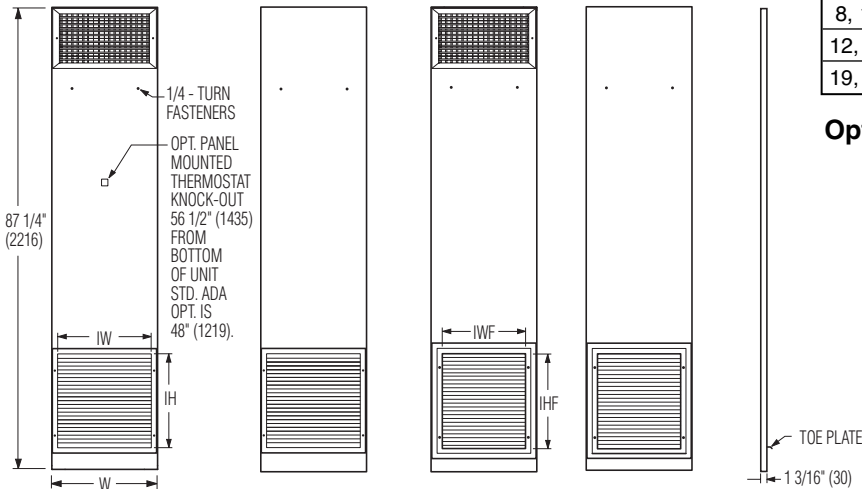
Optional Front Return Air Panels For Concealed Units • Extended Cover (With Integral Front Supply Grille Where Specified)

- Std. RA Grille w/ Front Supply Grille (Code PSX)
- Std. RA Grille (Code PSX)
- Opt. RA Filter Grille w/ Front Supply Grille (Code PSXF)
- Opt. RA Filter Grille (Code PSXF)
- Furred In Unit Panel (Concealed Drywall)



Type E (Exposed) • Extended Full Length Cover (With Integral Front Supply Grille Where Specified)

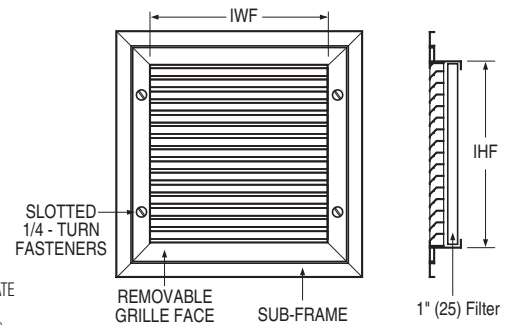
- Std. RA Grille w/ Front Supply Grille (Code PE)
- Std. RA Grille (Code PE)
- Opt. RA Filter Grille w/ Front Supply Grille (Code PEF)
- Opt. RA Filter Grille (Code PEF)
- Exposed Unit Panel



Dimensional Data

Unit Size	W	Standard Return Air Grille IW x IH	Optional Return Air Filter Grille IWF x IHF
3, 5, 6	18 (457)	16 x 15 (406 x 381)	14 x 14 (356 x 356)
8, 10	20 (508)	18 x 21 (457 x 533)	16 x 20 (406 x 508)
12, 15	24 (610)	22 x 26 (559 x 660)	20 x 25 (508 x 635)
19, 21	30 (762)	28 x 26 (711 x 660)	25 x 25 (635 x 635)

Optional Aluminum Filter Grille



NOTES:

- All front panels feature a high free area louvered return grille.
- A removable face filter return grille is available. This option eliminates having to remove the front panel for easier filter replacement.
- The standard reduced height front panels are designed for (furred-in) unit installation concealed by drywall [1/2" to 5/8" (13 to 16)] only.

- Optional full cover front panels with integral grille are also available for concealed drywall installation.
- Hi-Rise fan coil units designed for exposed installation feature a full length front panel with integral front supply grille where specified. These one piece panels mount flush and completely cover the front of the unit. The entire fan coil unit on the non-riser sides is also painted to match. An optional ceiling shroud extension for the fan coil unit is also available.

- Thermostat mounting option: A 7/8" (22.2) knock-out is provided on the return panel where this option is specified. Where the mounting location is to be in accordance with the Americans with Disabilities Act (ADA), the thermostat mounting height is lower than standard; 48" (1219) above the floor.
- Standard finish is a durable baked enamel powder coat, AW appliance white powder coat finish. Custom colors are available.

SCHEDULE TYPE:

PROJECT:

ENGINEER:

CONTRACTOR:

Dimensions are in inches (mm).

DATE	B SERIES	SUPERSEDES	DRAWING NO.
8 - 5 - 16	39	10 - 1 - 14	39VH-6