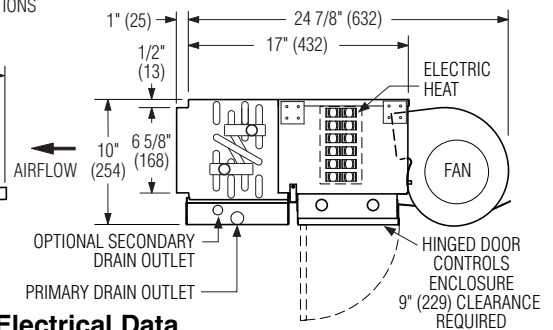
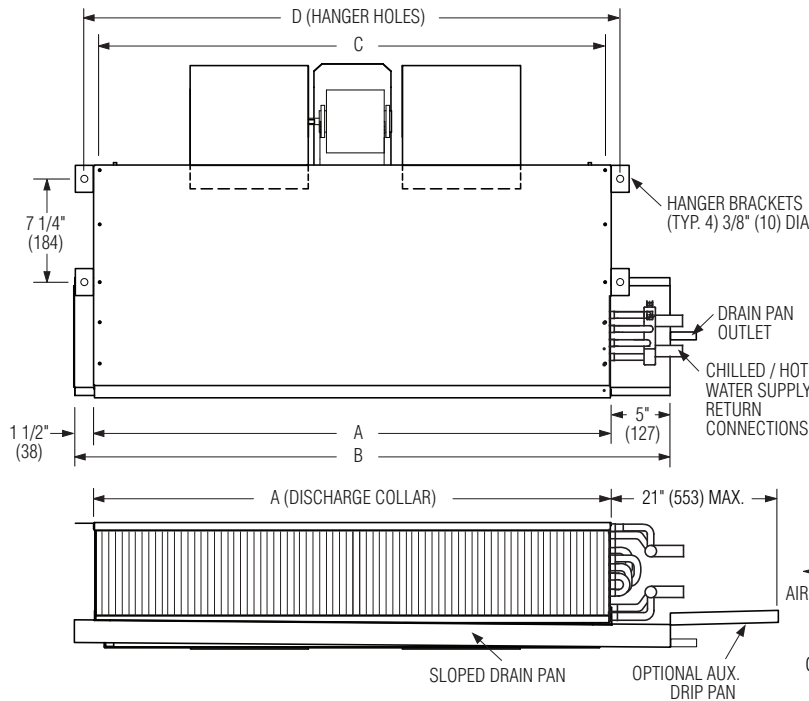


LOW PROFILE HORIZONTAL FAN COIL UNITS

FREE RETURN • 3-SPEED PSC MOTOR
2-PIPE COOLING AND ELECTRIC HEAT
MODEL: 40HF TYPE ZE



Dimensional Data.

Unit Size	Nominal CFM (l/s)	A	B	C	D
3	300 (142)	20 (508)	26 1/2 (673)	20 3/8 (518)	22 5/8 (575)
4	400 (189)	25 (636)	31 1/2 (800)	25 3/8 (645)	27 5/8 (702)
6	600 (283)	30 (762)	36 1/2 (927)	30 3/8 (772)	32 5/8 (829)
8	800 (378)	40 (1016)	46 1/2 (1181)	40 3/8 (1026)	42 5/8 (1083)
12	1200 (566)	50 (1270)	56 1/2 (1435)	50 3/8 (1286)	52 5/8 (1337)
15	1500 (708)	60 (1524)	66 1/2 (1689)	60 3/8 (1534)	62 5/8 (1591)

Electrical Data

Unit Size	Motor H. P.	Fan Qty.	3-Speed PSC Motor FLA			
			120V	208V	240V	277V
3	1/30	1	0.7	0.4	0.5	0.4
4	1/15	1	1.3	0.8	0.8	0.8
6	1/10	2	1.7	0.9	0.9	0.9
8	1/6	2	2.1	1.0	1.1	1.0
12	2 - 1/6, 1/15	3	3.4	1.6	1.7	1.6
15	2 @ 1/6	4	4.1	2.0	2.1	2.0

FLA = Full load amperage (High Fan Speed).
All motors are single phase/60 Hz.

STANDARD FEATURES:

- Galvanized steel casing.
- 1/2" (13) dual density insulation, exposed edges coated to prevent air erosion. Meets the requirements of NFPA 90A and UL 181.
- Energy efficient 3-speed PSC fan motor(s) with thermal overload protection.
- Single point electrical connection.
- Discharge collar for duct connection.

WATER COIL SECTION:

- 1/2" (12.7) copper tubes with aluminum ripple fins.
- Cooling coils include a foam insulated, galvanized steel sloped drain pan with 7/8" (22.2) O.D. primary drain connection. Field reversible.
- Left hand unit / coil connection as shown (looking in direction of airflow) is

standard. Right hand is opposite.

- Manual air vents.
- Sweat Connections:
All 5/8" (15.9) O.D. male solder except size 15 three and four row: 7/8" (22.2) O.D. male solder.

Coil Options: 2 Pipe system:

- 3 Row C/HW. 4 Row C/HW.

ELECTRIC HEAT

- High-grade resistance elements mounted directory in front of fan outlet(s).
- Automatic reset high limit cut-outs (one per element).
- Single point power connection Voltage (single phase, 60 Hz):
 120V 208V
 240V 277V

OPTIONS AND ACCESSORIES:

- Foil face fiberglass liner.
- Closed cell foam liner.
- Right hand unit/coil connection.
- Toggle disconnect switch.
- Door interlocking disconnect switch.
- Drain pan float switch.
- Factory assembled valve piping package (ships loose).
- 5/8" (16) O.D. secondary drain connection.
- Stainless steel drain pan.
- Aux. drip pan.

SCHEDULE TYPE:

PROJECT:

ENGINEER:

CONTRACTOR:

Dimensions are in inches (mm).

DATE	B SERIES	SUPERSEDES	DRAWING NO.
4 - 4 - 14	40	6 - 4 - 12	40HF-2