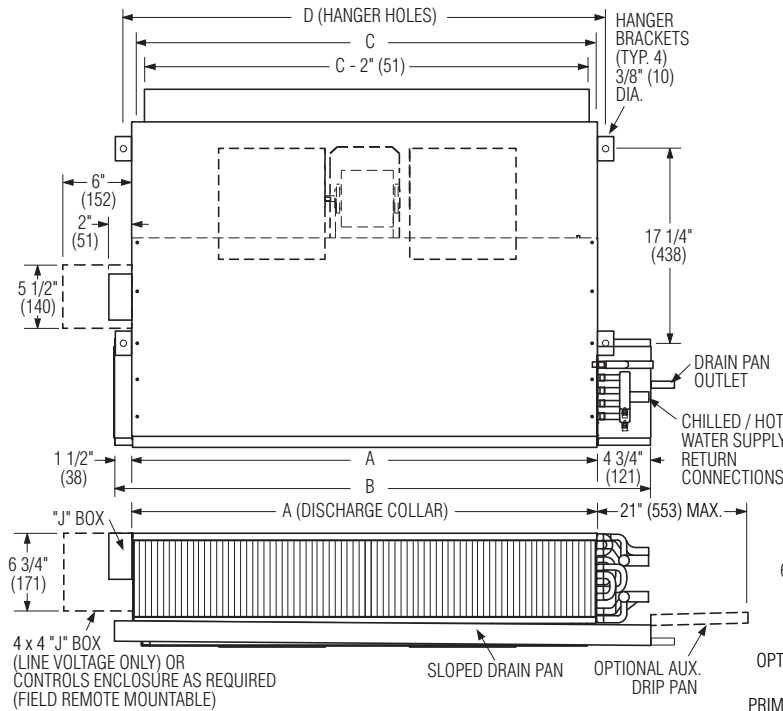


LOW PROFILE HORIZONTAL FAN COIL UNITS WITH PLENUM • 3-SPEED PSC MOTOR

2 & 4 PIPE COOLING/HEATING

MODEL: 40HP TYPES Z AND ZW

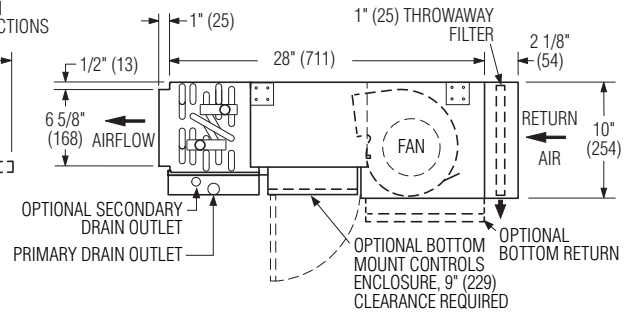


- TYPE Z** Chilled/Hot Water (2-pipe).
- TYPE ZW** Chilled & Hot Water (4-pipe).

Electrical Data

Unit Size	Motor H. P.	Fan Qty.	3-Speed PSC Motor FLA			
			120V	208V	240V	277V
3	1/30	1	0.7	0.4	0.5	0.4
4	1/15	1	1.3	0.8	0.8	0.8
6	1/10	2	1.7	0.9	0.9	0.9
8	1/6	2	2.1	1.0	1.1	1.0
12	2 - 1/6, 1/15	3	3.4	1.6	1.7	1.6
15	2 @ 1/6	4	4.1	2.0	2.1	2.0

FLA = Full load amperage (High Fan Speed).
All motors are single phase/60 Hz.



Dimensional Data

Unit Size	Nominal CFM (l/s)	A	B	C	D	Filter Size
3	300 (142)	20 (508)	26 1/2 (673)	20 3/8 (518)	22 5/8 (575)	10 x 20 (254 x 508)
4	400 (189)	25 (636)	31 1/2 (800)	25 3/8 (645)	27 5/8 (702)	10 x 25 (254 x 635)
6	600 (283)	30 (762)	36 1/2 (927)	30 3/8 (772)	32 5/8 (829)	10 x 30 (254 x 762)
8	800 (378)	40 (1016)	46 1/2 (1181)	40 3/8 (1026)	42 5/8 (1083)	2@ 10 x 20 (254 x 508)
12	1200 (566)	50 (1270)	56 1/2 (1435)	50 3/8 (1286)	52 5/8 (1337)	2@ 10 x 25 (254 x 635)
15	1500 (708)	60 (1524)	66 1/2 (1689)	60 3/8 (1534)	62 5/8 (1591)	2@ 10 x 30 (254 x 762)



STANDARD FEATURES:

- Galvanized steel casing.
- 1/2" (13) dual density insulation, exposed edges coated to prevent air erosion. Meets the requirements of NFPA 90A and UL 181.
- Energy efficient 3-speed PSC fan motor(s) with thermal overload protection.
- Single point electrical connection.
- Discharge collar for duct connection.
- Standard controls enclosure is mounted on side opposite coil connections.
- Rear return (field changeable) with 1" (25) throwaway filter.

WATER COIL SECTION:

- 1/2" (12.7) copper tubes with aluminum ripple fins.

- Cooling coils include a foam insulated, galvanized steel sloped drain pan with 7/8" (22.2) O.D. primary drain connection. Field reversible.
- Left hand unit / coil connection as shown (looking in direction of airflow) is standard. Right hand is opposite.
- Manual air vents.
- Sweat Connections:
All 5/8" (15.9) O.D. male solder except size 15 three and four row: 7/8" (22.2) O.D. male solder.

Coil Options:

- 2-Pipe system:
 - 3 Row C/HW.
 - 4 Row C/HW.
- 4-Pipe system:
 - 3/1 C/HW Rows.
 - 3/2 C/HW Rows.
 - 4/1 C/HW Rows.
 - 4/2 C/HW Rows.

OPTIONS AND ACCESSORIES:

- Foil face fiberglass liner.
- Closed cell foam liner.
- 1" (25) MERV 8 pleated filter.
- Bottom return.
- Bottom mounted hinged door controls enclosure.
- Right hand unit/coil connection.
- Toggle disconnect switch.
- Drain pan float switch.
- Factory assembled valve piping package (ships loose).
- 5/8" (16) O.D. secondary drain connection.
- Stainless steel drain pan.
- Aux. drip pan.

Dimensions are in inches (mm).

SCHEDULE TYPE:

PROJECT:

ENGINEER:

CONTRACTOR:

DATE

B SERIES

SUPERSEDES

DRAWING NO.

4 - 4 - 14

40

6 - 4 - 12

40HP-1