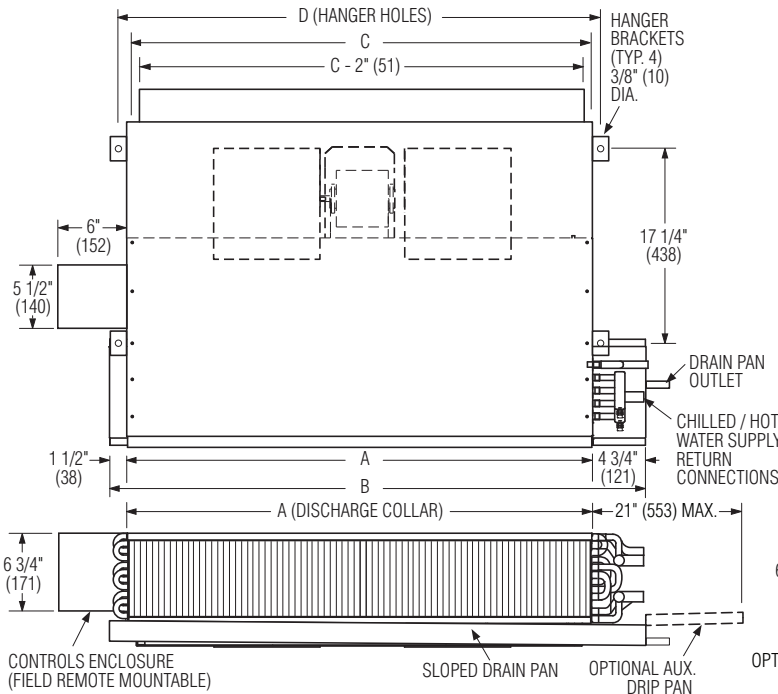


## LOW PROFILE HORIZONTAL FAN COIL UNITS WITH PLENUM • 3-SPEED ECM MOTOR

### 2 & 4 PIPE COOLING/HEATING

### MODEL: 40HP TYPES Z AND ZW

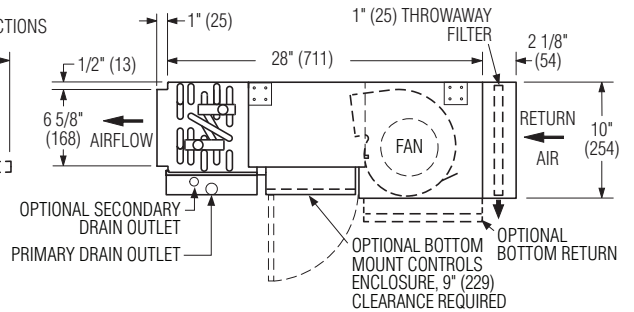


- TYPE Z Chilled/Hot Water (2-pipe).
- TYPE ZW Chilled & Hot Water (4-pipe).

#### Electrical Data

| Unit Size | Motor H. P.  | Fan Qty. | 3-Speed ECM Motor FLA |      |      |      |
|-----------|--------------|----------|-----------------------|------|------|------|
|           |              |          | 120V                  | 208V | 240V | 277V |
| 3         | 1/8          | 1        | 1.8                   | 0.8  | 0.7  | 0.7  |
| 4         | 1/8          | 1        | 2.3                   | 1.4  | 1.4  | 1.2  |
| 6         | 1/8          | 2        | 2.1                   | 1.5  | 1.3  | 1.2  |
| 8         | 1/4          | 2        | 2.8                   | 1.9  | 1.8  | 1.6  |
| 12        | 2 - 1/8, 1/4 | 3        | 3.9                   | 2.5  | 2.6  | 2.5  |
| 15        | 2 @ 1/4      | 4        | 4.4                   | 3.0  | 2.9  | 2.7  |

FLA = Full load amperage (High Fan Speed).  
All motors are single phase/60 Hz.



#### Dimensional Data

| Unit Size | Nominal CFM (l/s) | A         | B             | C             | D             | Filter Size            |
|-----------|-------------------|-----------|---------------|---------------|---------------|------------------------|
| 3         | 300 (142)         | 20 (508)  | 26 1/2 (673)  | 20 3/8 (518)  | 22 5/8 (575)  | 10 x 20 (254 x 508)    |
| 4         | 400 (189)         | 25 (636)  | 31 1/2 (800)  | 25 3/8 (645)  | 27 5/8 (702)  | 10 x 25 (254 x 635)    |
| 6         | 600 (283)         | 30 (762)  | 36 1/2 (927)  | 30 3/8 (772)  | 32 5/8 (829)  | 10 x 30 (254 x 762)    |
| 8         | 800 (378)         | 40 (1016) | 46 1/2 (1181) | 40 3/8 (1026) | 42 5/8 (1083) | 2@ 10 x 20 (254 x 508) |
| 12        | 1200 (566)        | 50 (1270) | 56 1/2 (1435) | 50 3/8 (1286) | 52 5/8 (1337) | 2@ 10 x 25 (254 x 635) |
| 15        | 1500 (708)        | 60 (1524) | 66 1/2 (1689) | 60 3/8 (1534) | 62 5/8 (1591) | 2@ 10 x 30 (254 x 762) |



#### STANDARD FEATURES:

- Galvanized steel casing.
- 1/2" (13) dual density insulation, exposed edges coated to prevent air erosion. Meets the requirements of NFPA 90A and UL 181.
- Ultra-energy efficient 3-speed ECM fan motor(s) with thermal overload protection.
- Single point electrical connection.
- Discharge collar for duct connection.
- Standard controls enclosure is mounted on side opposite coil connections.
- Rear return (field changeable) with 1" (25) throwaway filter.

#### WATER COIL SECTION:

- 1/2" (12.7) copper tubes with aluminum ripple fins.

- Cooling coils include a foam insulated, galvanized steel sloped drain pan with 7/8" (22.2) O.D. primary drain connection. Field reversible.
- Left hand unit / coil connection as shown (looking in direction of airflow) is standard. Right hand is opposite.
- Manual air vents.
- Sweat Connections:  
All 5/8" (15.9) O.D. male solder except size 15 three and four row: 7/8" (22.2) O.D. male solder.

#### Coil Options:

- 2-Pipe system:
  - 3 Row C/HW.       4 Row C/HW.
- 4-Pipe system:
  - 3/1 C/HW Rows.     3/2 C/HW Rows.
  - 4/1 C/HW Rows.     4/2 C/HW Rows.

#### OPTIONS AND ACCESSORIES:

- Foil face fiberglass liner.
- Closed cell foam liner.
- 1" (25) MERV 8 pleated filter.
- Bottom return.
- Bottom mounted hinged door controls enclosure.
- Right hand unit/coil connection.
- Toggle disconnect switch.
- Drain pan float switch.
- Factory assembled valve piping package (ships loose).
- 5/8" (16) O.D. secondary drain connection.
- Stainless steel drain pan.
- Aux. drip pan.

Dimensions are in inches (mm).

SCHEDULE TYPE:

PROJECT:

ENGINEER:

CONTRACTOR:

DATE

B SERIES

SUPERSEDES

DRAWING NO.

6 - 16 - 14

40

NEW

40HP-4