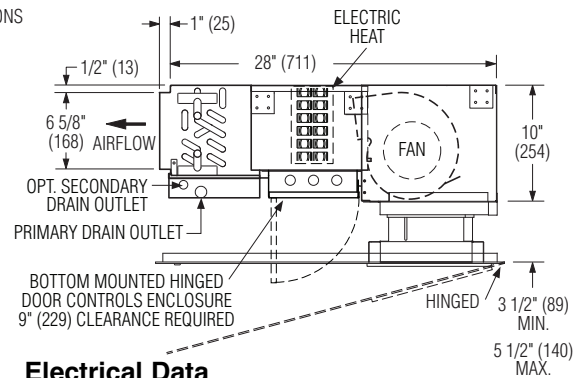
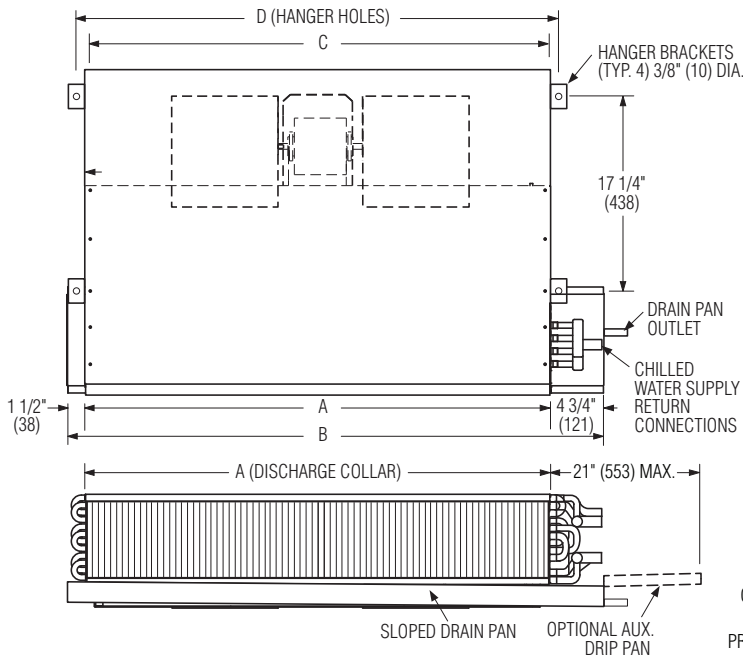


LOW PROFILE HORIZONTAL FAN COIL UNITS TELESCOPING • 3-SPEED ECM MOTOR 2 PIPE COOLING AND ELECTRIC HEAT MODEL: 40HT TYPE ZE



Dimensional Data.

Unit Size	Nominal CFM (l/s)	A	B	C	D
3	300 (142)	20 (508)	26 1/2 (673)	20 3/8 (518)	22 5/8 (575)
4	400 (189)	25 (636)	31 1/2 (800)	25 3/8 (645)	27 5/8 (702)
6	600 (283)	30 (762)	36 1/2 (927)	30 3/8 (772)	32 5/8 (829)
8	800 (378)	40 (1016)	46 1/2 (1181)	40 3/8 (1026)	42 5/8 (1083)
12	1200 (566)	50 (1270)	56 1/2 (1435)	50 3/8 (1286)	52 5/8 (1337)
15	1500 (708)	60 (1524)	66 1/2 (1689)	60 3/8 (1534)	62 5/8 (1591)

Electrical Data

Unit Size	Motor H. P.	Fan Qty.	3-Speed ECM Motor FLA			
			120V	208V	240V	277V
3	1/8	1	1.8	0.8	0.7	0.7
4	1/8	1	2.3	1.4	1.4	1.2
6	1/8	2	2.1	1.5	1.3	1.2
8	1/4	2	2.8	1.9	1.8	1.6
12	2 - 1/8, 1/4	3	3.9	2.5	2.6	2.5
15	2 @ 1/4	4	4.4	3.0	2.9	2.7

FLA = Full load amperage (High Fan Speed).
All motors are single phase/60 Hz.

STANDARD FEATURES:

- Galvanized steel casing.
- Telescoping inlet skirt and bottom return air ceiling panel.
- 1/2" (13) dual density insulation, exposed edges coated to prevent air erosion. Meets the requirements of NFPA 90A and UL 181.
- Ultra-energy efficient 3-speed ECM fan motor(s) with thermal overload protection.
- Single point electrical connection.
- Discharge collar for duct connection.
- Bottom return with 1" (25) throwaway filter.

WATER COIL SECTION:

- 1/2" (12.7) copper tubes with aluminum ripple fins.
- Cooling coils include a field reversible, foam insulated, galvanized steel sloped

- drain pan with 7/8" (22.2) O.D. primary drain connection.
- Left hand coil unit / connection as shown (looking in direction of airflow) is standard. Right hand is opposite.
- Manual air vents.
- Sweat Connections:
All 5/8" (15.9) O.D. male solder except size 15 three and four row: 7/8" (22.2) O.D. male solder.

Coil Options (2-Pipe system):

- 3 Row Coil. 4 Row Coil.

ELECTRIC HEAT

- High-grade resistance elements mounted directly in front of fan outlet(s).
- Automatic reset high limit cut-outs (one per element).

- Single point power connection Voltage (single phase, 60 Hz):
 120V 208V 240V 277V

OPTIONS AND ACCESSORIES:

- Foil face fiberglass liner.
- Closed cell foam liner.
- 1" (25) MERV 8 pleated filter.
- Right hand unit/coil connection.
- Toggle disconnect switch.
- Door interlocking disconnect switch.
- Drain pan float switch.
- Factory assembled valve piping package (ships loose).
- 5/8" (16) O.D. secondary drain connection.
- Stainless steel drain pan.
- Aux. drip pan.

SCHEDULE TYPE:

PROJECT:

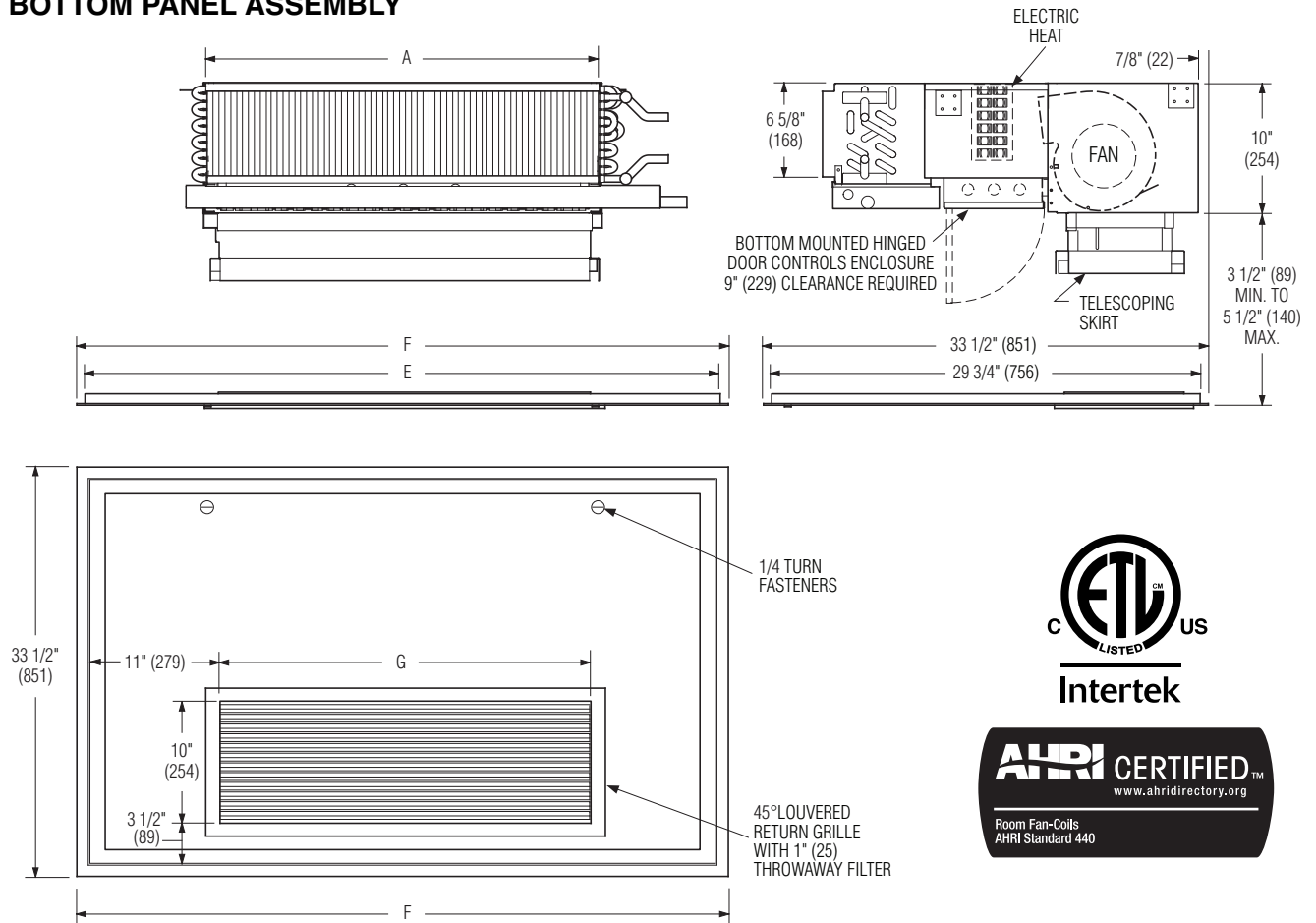
ENGINEER:

CONTRACTOR:

Page 1 of 2.
Dimensions are in inches (mm).

DATE	B SERIES	SUPERSEDES	DRAWING NO.
6 - 18 - 15	40	6 - 16 - 14	40HT-4

BOTTOM PANEL ASSEMBLY



Dimensional Data

Unit Size	E	F	G	Filter Size
3	39 3/4 (1010)	43 1/2 (1105)	20 (508)	10 x 20 (254 x 508)
4	44 3/4 (1137)	48 1/2 (1232)	25 (635)	10 x 25 (254 x 635)
6	49 3/4 (1264)	53 1/2 (1359)	30 (762)	10 x 30 (254 x 762)
8	59 3/4 (1518)	63 1/2 (1613)	40 (1016)	2@ 10 x 20 (254 x 508)
12	69 3/4 (1772)	73 1/2 (1867)	50 (1270)	2@ 10 x 25 (254 x 635)
15	79 3/4 (2026)	83 1/2 (2121)	60 (1524)	2@ 10 x 30 (254 x 762)

NOTES:

- Left hand unit as shown, right hand unit is built as mirror image.
- Telescoping skirt and collar assembly must be field adjusted to assure a proper fit between filter frame and louvered inlet panel assembly. In the event the louvered return grille is larger/smaller or does not align with the telescoping skirt, additional field modifications may be needed to prevent ceiling plenum air from being entrained into return plenum.
- 1/4-turn slotted fasteners. Qty. 2 for sizes 3 and 4, Qty. 3 for sizes 6 and 8, Qty. 4 for sizes 12 and 15.
- Minimum ceiling drywall opening should be cut as Panel Assembly neck dimension E x 29 3/4" (756) plus 1/4" (6).

SCHEDULE TYPE:

PROJECT:

ENGINEER:

CONTRACTOR:

Page 2 of 2.
Dimensions are in inches (mm).

DATE	B SERIES	SUPERSEDES	DRAWING NO.
6 - 18 - 15	40	6 - 16 - 14	40HT-4